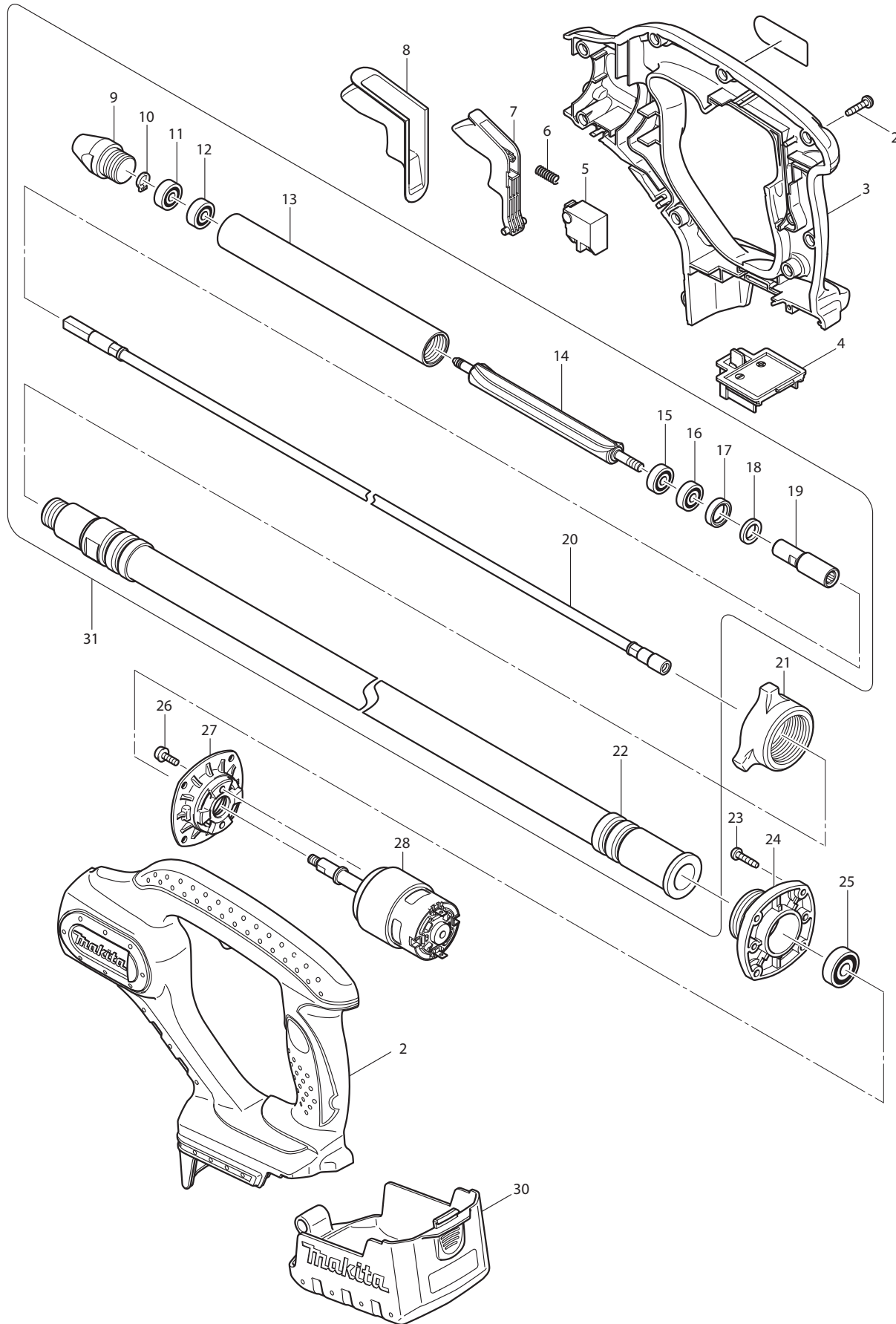




09 - 2011  
BVR450 / BVR450Z / BVR450F  
18V CONCRETE VIBRATOR (4.0FT)



| Item No | Type | Ref  | Part No  | Description          | Qty | Unit |
|---------|------|------|----------|----------------------|-----|------|
| 2       |      |      | 266045-0 | TAPPING SCREW 4X20   | 9   | PC.  |
| 3       |      |      | 188170-6 | HOUSING SET          | 1   | SET  |
|         |      | INC. | 810201-0 | CAUTION LABEL        | 1   | PC.  |
| 4       |      |      | 643812-4 | TERMINAL, BLACK      | 1   | PC.  |
| 5       |      |      | 650580-2 | SWITCH SGE120C-4     | 1   | PC.  |
| 6       |      |      | 231298-0 | COMPRESSION SPRING 6 | 1   | PC.  |
| 7       |      |      | 419511-8 | SWITCH LEVER         | 1   | PC.  |
| 8       |      |      | 421961-5 | WATERPROOF COVER     | 1   | PC.  |
| 9       |      |      | 322935-8 | CAP                  | 1   | PC.  |
| 10      |      |      | 961002-0 | RETAINING RING S-6   | 1   | PC.  |
| 11      |      |      | 210018-5 | BALL BEARING 626     | 1   | PC.  |
| 12      |      |      | 210018-5 | BALL BEARING 626     | 1   | PC.  |
| 13      |      |      | 331503-6 | PIPE 25              | 1   | PC.  |
| 14      |      |      | 322934-0 | UNBALANCER           | 1   | PC.  |
| 15      |      |      | 211016-2 | BALL BEARING 626LLB  | 1   | PC.  |
| 16      |      |      | 211016-2 | BALL BEARING 626LLB  | 1   | PC.  |
| 17      |      |      | 421578-4 | RUBBER RING          | 1   | PC.  |
| 18      |      |      | 443101-5 | FELT RING            | 1   | PC.  |
| 19      | 1    |      | 322969-1 | JOINT                | 1   | PC.  |
|         | 2    |      | 326203-1 | JOINT                | 1   | PC.  |
| 20      | 1    |      | 163420-0 | FLEXIBLE WIRE        | 1   | PC.  |
|         | 2    |      | 163534-5 | FLEXIBLE WIRE        | 1   | PC.  |
| 21      |      |      | 416244-6 | NUT 36               | 1   | PC.  |
| 22      | 1    |      | 163419-5 | FLEXIBLE HOSE        | 1   | PC.  |
|         | 2    |      | 163537-9 | FLEXIBLE HOSE        | 1   | PC.  |
| 23      |      |      | 266045-0 | TAPPING SCREW 4X20   | 4   | PC.  |
| 24      |      |      | 316893-8 | BEARING BOX          | 1   | PC.  |
| 25      | 1    |      | 210042-8 | BALL BEARING 629LLB  | 1   | PC.  |
|         | 2    |      | 211056-0 | BALL BEARING 629LLB  | 1   | PC.  |
| 26      |      |      | 911118-1 | PAN HEAD SCREW M4X12 | 2   | PC.  |
| 27      |      |      | 318038-4 | SUPPORTER            | 1   | PC.  |
| 28      |      |      | 629836-4 | DC MOTOR             | 1   | PC.  |
| 30      |      |      | 154948-9 | COVER COMPLETE       | 1   | PC.  |
| 31      |      |      | 192954-6 | FLEXIBLE ASS'Y       | 1   | PC.  |
|         |      | INC. |          | Item No. 9-20,22     |     |      |

### **ACCESSORIES**

|     |   |      |          |  |   |     |
|-----|---|------|----------|--|---|-----|
| A01 | 1 |      | DC18RA   | CHARGER DC18RA                             | 1 | PC. |
|     | 2 |      | DC18RC   | CHARGER DC18RC                             | 1 | PC. |
| A02 |   |      | 194205-3 | 18V LI-ION BATTERY BL1830                  | 1 | PC. |
| A03 | 1 |      | 824768-2 | PLASTIC CARRYING CASE (F/Battery, Charger) | 1 | PC. |
|     |   | INC. | 417383-5 | LATCH                                      | 2 | PC. |
|     | 2 |      | 141481-0 | PLASTIC CARRYING CASE (F/Battery, Charger) | 1 | PC. |
|     |   | INC. | 417383-5 | LATCH                                      | 2 | PC. |
| A04 |   |      | 450128-8 | BATTERY COVER                              | 1 | PC. |

**SERVICE CHANGES**

**1. Changes on Flexible hose, wire, joint**

(TI# 94292)

| <b>Item No.</b> | <b>Description</b> | <b>Type 1</b> | <b>Type 2</b> |
|-----------------|--------------------|---------------|---------------|
| 22              | Flexible hose      | 163419-5      | 163537-9      |
| 20              | Flexible wire      | 163420-0      | 163534-5      |
| 19              | Joint              | 322969-1      | 326203-1      |

Above parts are completely interchangeable as a set.